

# SATURN EKO9150 / EKO9151



EKO-LIGHT TEAM SP. Z O.O. [W] www.eko-light.com  
UL. GŁÓWNA 142 [T] +48 666 503 333  
42-280 CZĘSTOCHOWA [M] biuro@eko-light.com  
POLAND



## IMPORTANT NOTE

### LIST OF PARTS

1. Solar panel box with a connector
2. LED light string lights with a connector
3. Remote control
4. Screw fittings

## SWITCH USAGE STEPS

### FUNCTION KEY

1. Touch the transparent white switch to make the light flash to turn on, and then touch the switch to turn off.
2. You can use the remote control to change the brightness of the light and control the working time.

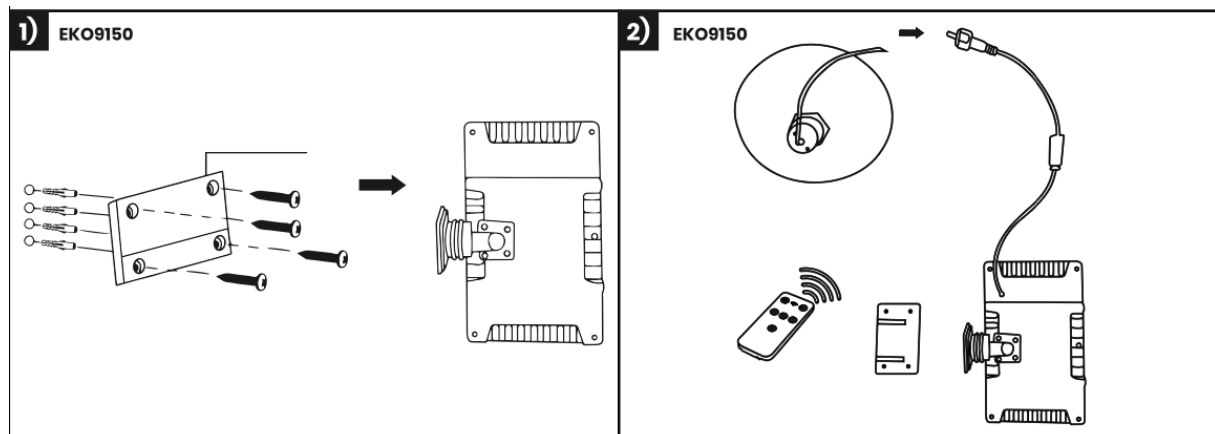
## INSTALLATION STEPS

Connect the solar panel connector line first, install the solar panel outside in a sunny area, and hang the lamp cap shell where it needs to be lit.

## MATTERS NEEDING ATTENTION

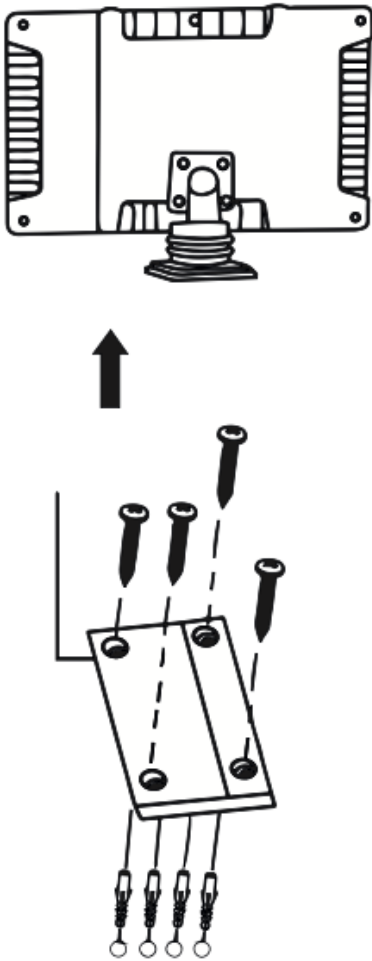
1. The solar light is light control, automatically turns off, and is charging in the daytime, if you want it to work in the daytime, you need to use something to cover the solar panel.
2. Please let it under the sunshine to charge for several hours when you use it for the first time.
3. Shady locations will influence the battery charge and may shorten the working time of the lights at night. The solar panel should not be placed near other lighting such as street lights or corridor lights as this will affect the inbuilt sensor and may cause the solar lights to turn off.

## INSTALLMENT STEPS

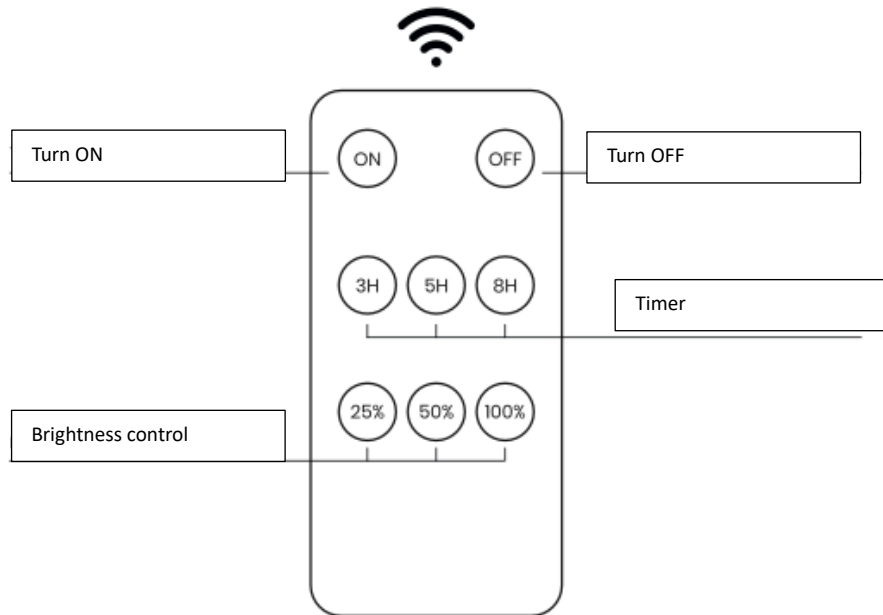
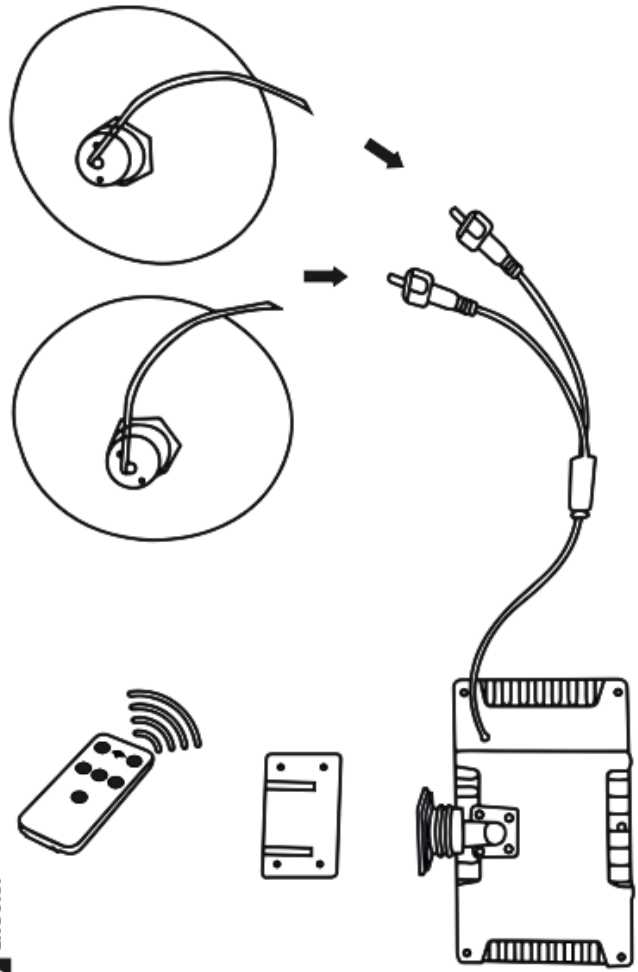


# SATURN EKO9150 / EKO9151

1) EKO9151



2) EKO9151



## ENVIRONMENTAL INFORMATION

Waste electrical equipment is a recyclable material and must be disposed of in the household waste bin (labeled in the text) as it may contain substances that are hazardous to health, life, and the environment. According to the WEEE Directive, (Directive 2012/19/EU) applicable in the EU, separate disposal methods must be implemented for used electrical and electronic equipment. A user who intends to dispose of such a product is obliged to hand it over to a collection point for used equipment, e.g. a retailer of such equipment or another waste collector authorized to collect such waste. The above obligation arise from the Act of 11 September 2015 on waste electrical and electronic equipment (Journal of Laws No. 0, item 1688) and is intended to ensure an appropriate level of collection, recovery, and recycling of waste equipment, and thus contribute to the protection of the environment.

